

Weights

Operating weight	4634 kg
Additional weight for cab with HVAC	19 kg
Additional weight for steel tracks	131 kg
Additional weight for long dipperstick	216 kg
Ground pressure with rubber tracks	25.40 kPa

Engine

Make / model	Kubota / V2403-M-DI-E3B-BC-5
Fuel	Diesel
Number of cylinders	4
Displacement	2433 cm ³
Maximum NET power (ISO 9249)	30.2 kW
Maximum NET torque (ISO 9249)	152.7 Nm

Performance

Digging force, dipperstick (ISO 6015)	25700 N
Digging force, long dipperstick (ISO 6015)	23700 N
Digging force, bucket (ISO 6015)	35800 N
Drawbar pull	40447 N
Travel speed, low range	2.4 km/h
Travel speed, high range	4.2 km/h

Hydraulic System

Pump type	Single outlet variable displacement, load sensing torque limited pump
Piston pump capacity	99.10 L/min
Auxiliary flow	75.70 L/min
Auxiliary relief	210.0 bar

Slew System

Boom swing, left	75.0°
Boom swing, right	50.0°
Slew rate	9.0 RPM

Fluid Capacities

Cooling system	8.30 L
Engine lubrication plus oil filter	7.10 L
Fuel reservoir	79.90 L
Hydraulic system	54.90 L

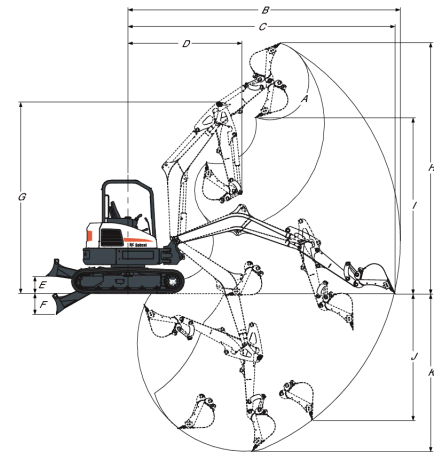
Environmental

Noise level LpA(EU Directive 2006/42/EC)	79 dB(A)
Noise level LWA(EU Directive 2000/14/EC)	95 dB(A)
Whole body vibration (ISO 2631-1)	0.12 ms ⁻²
Hand-arm vibration (ISO 5349-1)	0.30 ms ⁻²

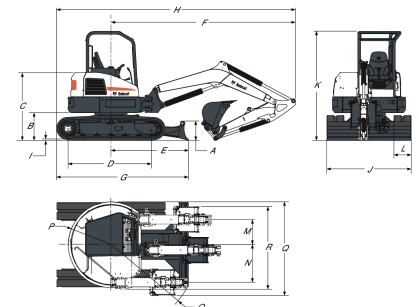
Standard Features

1960 mm dozer blade	Fingertip auxiliary hydraulic control
400 mm rubber track	Horn
Auto idle	Full fuel warning alarm
Auto shift travel	Hydraulic joystick controls
Auxiliary hydraulics with Quick Couplers	Retractable seat belt
Selectable auxiliary hydraulic flow	Suspension seat with high back
Blade float feature	TOPS/ROPS* canopy ¹
Clamp ready	Two-speed travel
Control console locks	Work lights (boom and upperstructure)
Cupholder	Warranty: 12 months, 2000 hours (whichever occurs first)
Engine/hydraulic monitor with shutdown	

¹ Roll Over Protective Structure (ROPS) – Meets requirements of ISO 3471. Tip Over Protective Structure (TOPS) – Meets requirements of ISO 12117.

Working Range


(A)	185.0°	(G)	4095.0 mm
(B)	5802.0 mm	(H)	5345.0 mm
(B)	6083.0 mm	(H*)	5527.0 mm
(C)	5670.0 mm	(I)	3697.0 mm
(C*)	5964.0 mm	(I*)	3879.0 mm
(D)	2491.0 mm	(J)	2531.0 mm
(D*)	2573.0 mm	(J*)	2820.0 mm
(E)	384.0 mm	(K)	3300.0 mm
(F)	465.0 mm	(K*)	3600.0 mm

Dimensions


(A)	446.0 mm	(J)	1960.0 mm
(B)	640.0 mm	(K)	2541.0 mm
(C)	1575.0 mm	(L)	400.0 mm
(D)	1998.0 mm	(M)	586.0 mm
(E)	1797.0 mm	(N)	872.0 mm
(F)	4092.0 mm	(O)	3973.0 mm
(G)	3058.0 mm	(P)	980.0 mm
(H)	5353.0 mm	(P*)	997.0 mm
(H*)	5379.0 mm	(Q)	2074.0 mm
(I)	25.0 mm	(R)	1874.0 mm

Options

Air conditioning	Lifting chain kit
Long dipperstick	Travel motion alarm
2nd Auxiliary hydraulics	Steel tracks
Deluxe textile suspension seat	Beacon kit
Boom safety valve with overload warning	Left and right mirror kit
Boom & arm safety valves with overload warning	Additional work light kit
AM/FM stereo radio	Rubber bolt-on pads for steel tracks
FOGS kit (Overhead guard)	Special applications kit